

Errickson Equipment, Inc.

277 County Road 519

Stockton, NJ 08559

<http://new.erricksonequipment.com/>

sales@erricksonequipment.com

Office: 908.996.2200

Fax: 908.996.7211

Tower Fit Form

ALL INFORMATION ON THIS DRAWING IS CONFIDENTIAL AND CAN NOT BE USED WITHOUT THE WRITTEN CONSENT OF JON ERRICKSON

Please fill in all information to the best of your abilities (see second sheet for guide)

DRILL MANUFACTURER: _____

DRILL MODEL NUMBER: _____

MAIN PUMPS: GPM _____ PSI _____

 GPM _____ PSI _____

JAW SIZE(S) NEEDED: _____

STANDARD SIZES: 26" - 24" - 22" - 20" - 16" - 12" - 10" - 6"

OPTIONS: *HIGH SPEED SPIN-OFF *MOTOR UP OR DOWN

MEASUREMENTS:

STANDOUT : _____ RAIL WIDTH: _____

INSIDE WIDTH BETWEEN RAILS: _____

MAXIMUM DISTANCE BETWEEN SPROCKETS: _____

DISTANCE BETWEEN CAROUSEL AND TABLE: _____

DISTANCE BETWEEN BACK OF HEAD AND BACK WALL: _____

OBSTRUCTIONS (IF ANY):

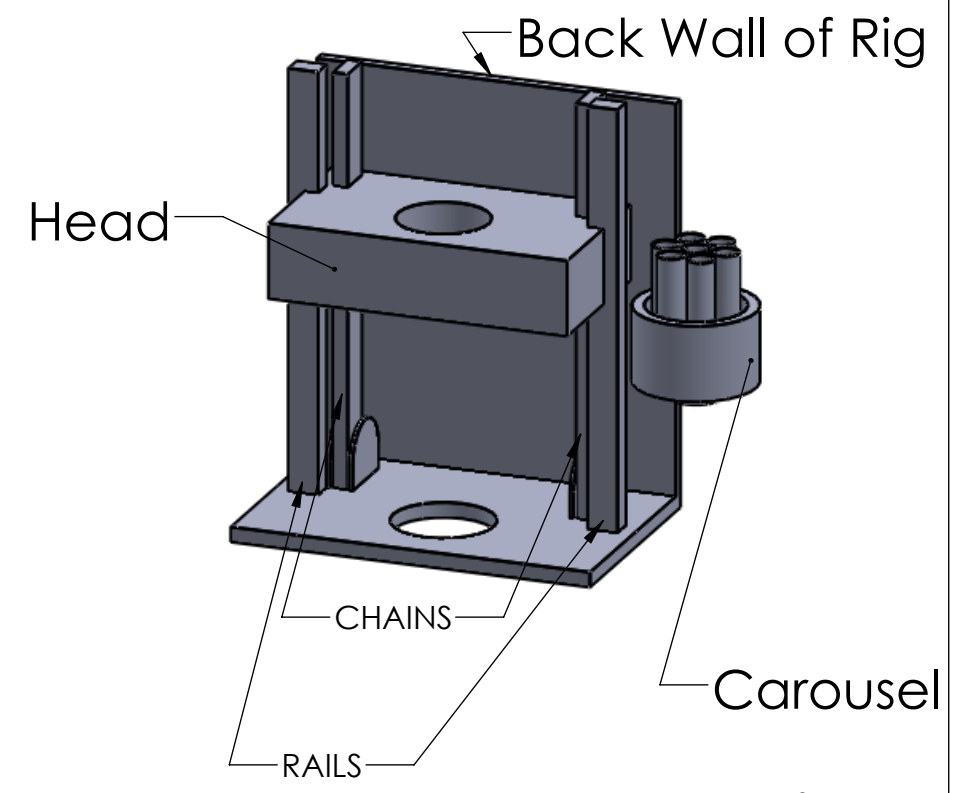
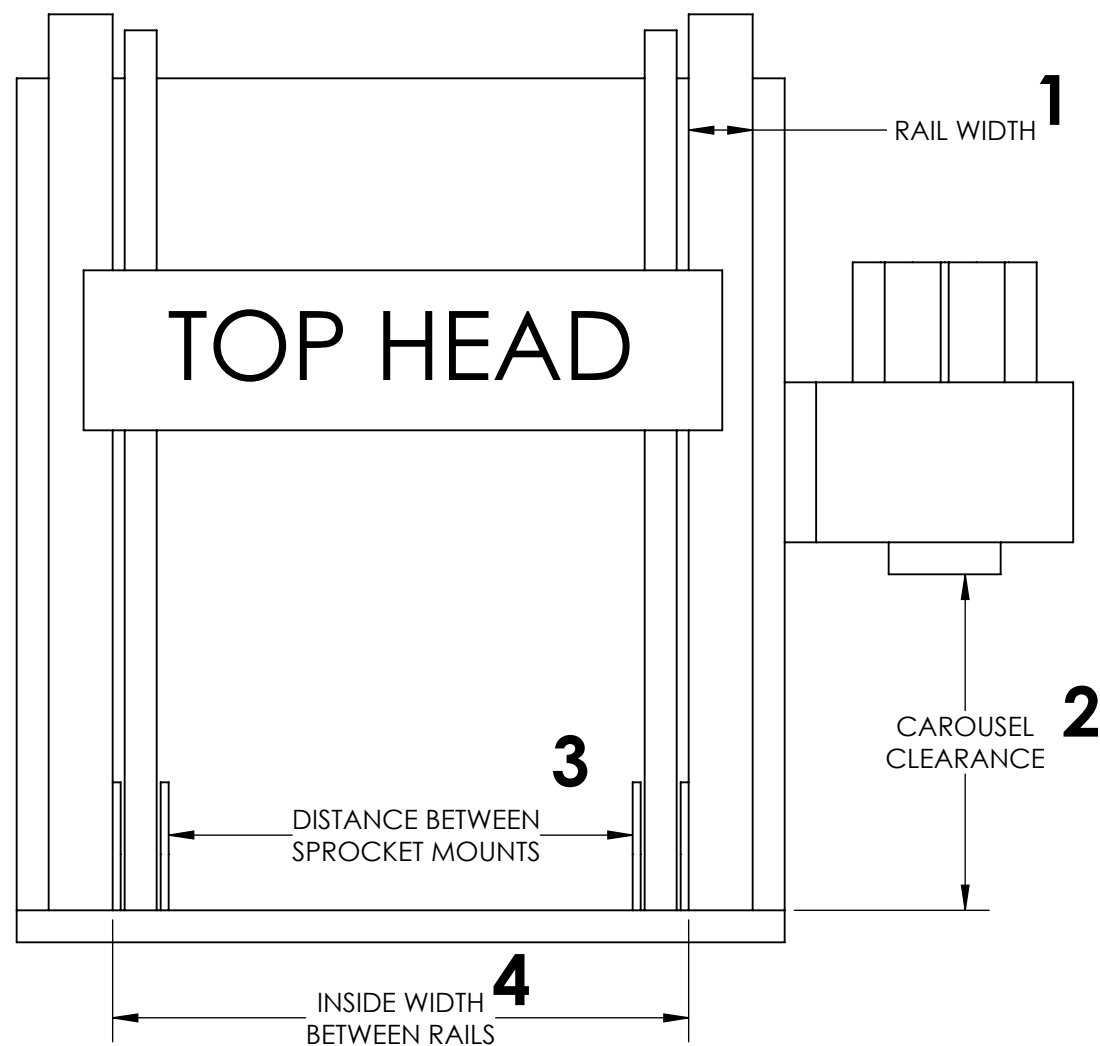
Pictures are highly recommended, please send them to sales@erricksonequipment.com

4

3

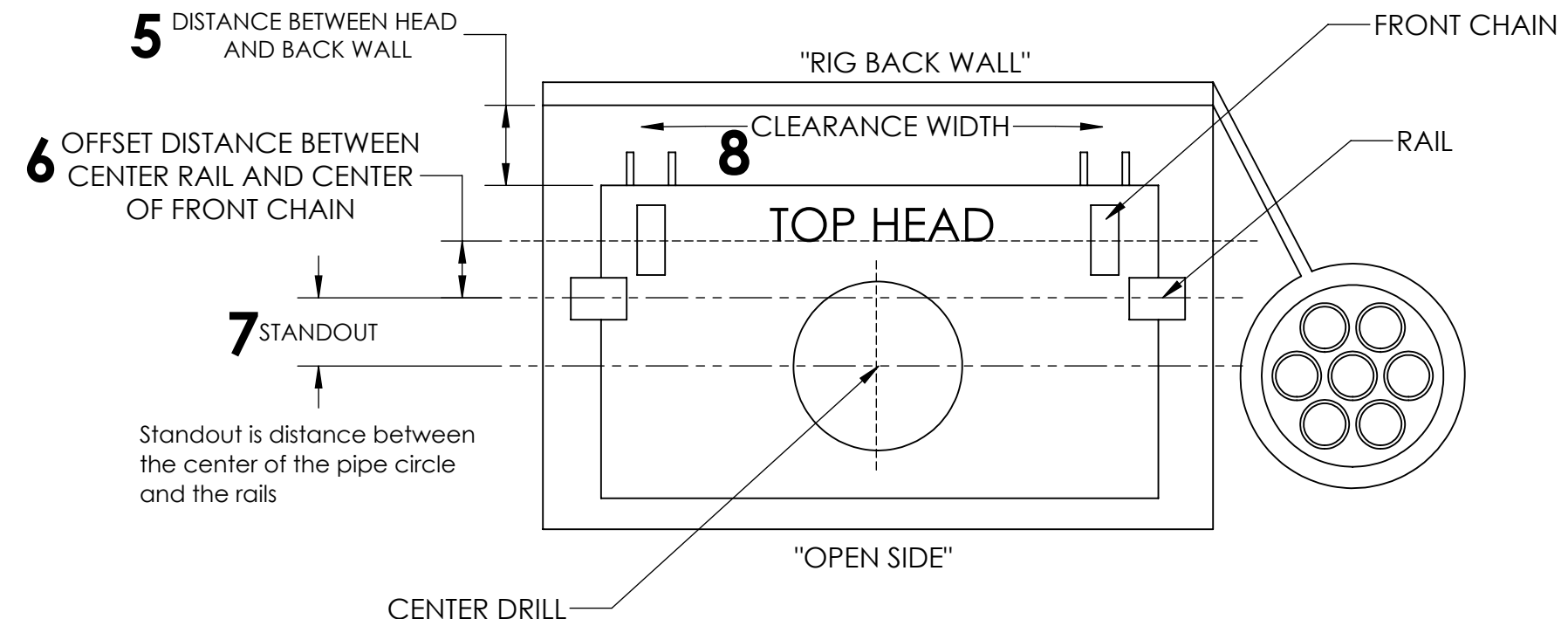
2

1



FILL IN VALUES

#1	
#2	
#3	
#4	
#5	
#6	
#7	
#8	



Company Name/Contact Info

Jon Erickson -277 CR 519, Stockton NJ-(908)996-2200

UNLESS OTHERWISE SPECIFIED:
 DIMENSIONS ARE IN INCHES
 TOLERANCES:
 FRACTIONAL ± .5
 TWO PLACE DECIMAL ±.01
 THREE PLACE DECIMAL ±.005

PROPRIETARY AND CONFIDENTIAL
 THE INFORMATION CONTAINED IN THIS DRAWING IS THE SOLE PROPERTY OF Erickson Equipment Inc. ANY REPRODUCTION IN PART OR AS A WHOLE WITHOUT THE WRITTEN PERMISSION OF Erickson Equipment Inc IS PROHIBITED.

	NAME	DATE
DRAWN	CZ	9.20.16
CHECKED		
ENG APPR.		
MFG APPR.		
Q.A.		
COMMENTS:		

Erickson Equipment Inc.		
TITLE: Tower Fit Guide		
SIZE B	FILENAME Basic Rig Outline	REV
SCALE: 1:4	WEIGHT:	SHEET 1 OF 1

INDICATE ANY CHAINS AND/OR OBSTRUCTIONS

4

3

2

1

B

B

A

A